

SURGE PROTECTOR

Surge Protective Device 50kA 2 Pole



Key Features

The combination lightning current and surge arrestors 4N-C50K meet the type 1+2 requirement class according to IEC 61643-11. These devices protect low-voltage consumer systems from overvoltages of all types and are available in single-pole to four-pole versions. The use of high-performance varistors permits a rapid response time and a low protection level, without any line follow current. If circumstances are uncertain and there is a risk of fire from an overload, the internal cut-off unit disconnects the arrestor from the mains if necessary. In addition, the QR code printed on the arrestor allows direct access to the online installation instructions.

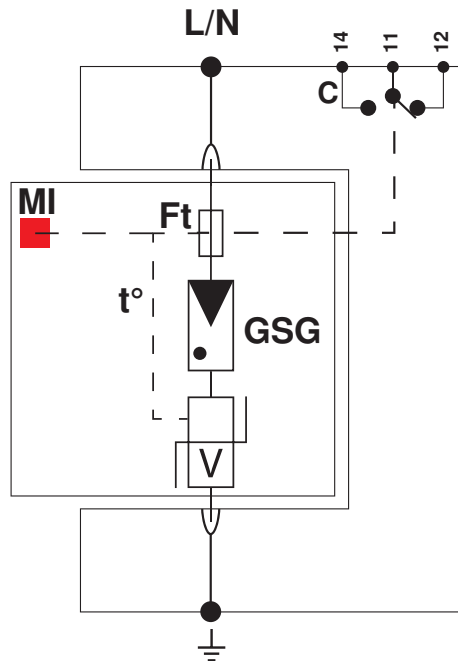
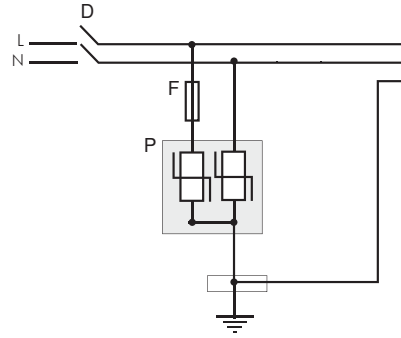
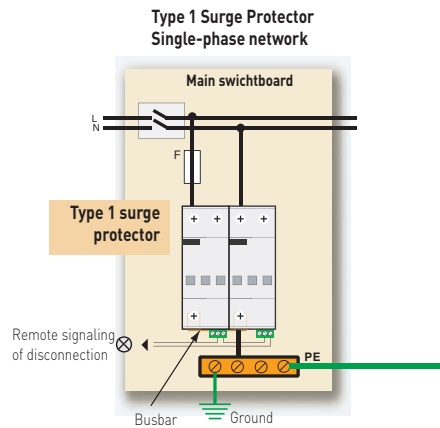
- IEC61643- 11:2012 , EN61643-11:2012, IEEEC62.41.1-2002, ITU-T Rec.K.12, IEC61000-4-4, IEEE802.3AT standard
- UL recognized Type 2ca Surge protective Devices ANSI/UL 1449,CSA-C22.2
- High arresting capacity up to 50 kA (10/350µs)
- Install the DIN mounting rail 35mm
- Vibration-proof

Specification



| 4N-C50K | |
|---|---|
| Maximum continuous voltage AC (U_c) | 275V/320V/385V/440V |
| Lightning impulse current (10/350µs) (Iimp) | 12,5kA |
| Nominal discharge current (8/20µs) | 25kA |
| Maximum discharge current (8/20µs) | 50kA |
| Voltage protection level (U_p) | <1,5/1,8/2,0/2,2 kV |
| Response time (t_A) | <25ns (line-GND/PE) |
| Maximum back-up fuse | 125A |
| Temperature range | >-40°C~+85°C |
| Insertion Loss | <0.5dB @100MHz |
| Protective Element | GDT |
| Protection rating | IP 20 |
| Max. cable cross-section flexible (fine-wire) | 25 mm ² |
| Max. cable cross-section rigid (single wire/multi-wire) | 35 mm ² |
| SPD to EN 61643-11 | Type 1+2 |
| SPD to IEC 61643-1 | class I+II |
| Temperature Range | - 40° to 176°F (-40° to 80°C) |
| Relative Humidity | 0% to 95% noncondensing |
| Cross-sectional area of earth lead | 3mm ² multistranded / flexible |
| Stripping Length Contacts | >0.25inches (6-7mm) |
| Terminal Screw Torque | Max. 0.25Nm |
| Protection Rating (IP Code) | IP 20 / UL94 V0 |
| Applicable standards. | ANSI/UL1449 4th ,IEC61643-31, CSA C22.2,ANSI/IEEE C62.41 |
| Approvals, Certifications | UL/CE |

Application



- V : High energy MOV
- Mi : Disconnection indicator
- Ft : Thermal fuse
- t° : Thermal disconnection mechanism
- C : contac for remote signal

