

# 4N-I80E54AR

2MP Indoor Dome IP camera (2.7~12mm Motorized)



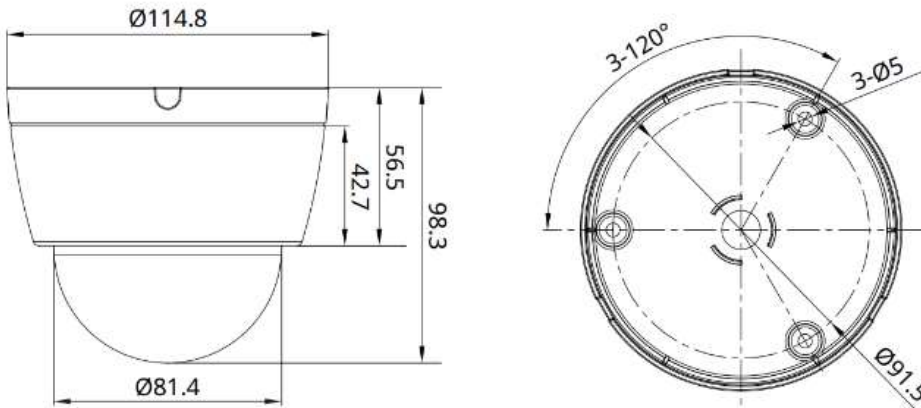
**Cost effective, Feature rich**  
**Smart H.265/H.264**  
**Long-range Smart IR**  
**2.7~12mm Motorized Varifocal**  
**Ultra Smart Rate Control**  
**Advanced ROI**



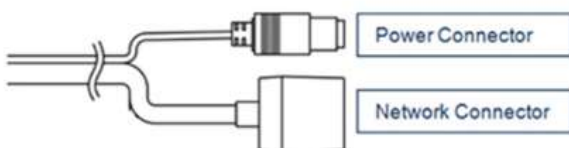
## Key Features

- 1/2.8" 2MP Sony Low-light image sensor
- 1920(H)x 1080(V) 2MP /30fps
- Smart H.265/H.264
- 2.7~12mm Motorized Zoom Lens
- 50M IR Beam Distance (Built-in High-Power IRs)
- Triple Streaming of H.265, H.264, and M-JPEG
- Real-time 30fps to all triple codecs
- VBR/CBR/SRC in H.265/H.264
- Ultra SRC (Smart Rate Control)
- Adjustable frame rate
- Real WDR (120dB)
- 2D+3DNR, Smart IR
- 0.2Lux in Color/0 Lux in BW IR (SRATLUX)
- Advanced ROI (Region of Interest)
- Power/Network status indication
- Motion detection
- Corridor view in H.265/H.264
- Tool-Free 3-Axis
- 12VDC/ IEEE802.3af POE
- ONVIF Conformant (Profile-S)
- Includes Windows-based IP Installer and license-free 16 channel NVR (Network Video Recorder) software

## Dimensions (Unit: mm)



## Cable out



## Specification

## 2MP Indoor Dome IP Camera

MODEL	4N-I80E54AR
<b>System</b>	
CPU	Cortex-A9
Flash	2Gbit Flash memory
SDRAM	2Gbit DDR3
<b>Camera</b>	
Image sensor	2.07 Mega 1/2.8" SONY progressive scan CMOS
Total Pixels	1945(H) x 1109(V) 2.16 Megapixel
Effective Pixels	1945(H) x 1097(V) 2.13 Megapixel
S/N Ratio	More than 50dB
Min. Illumination	0.2lux in Color/ 0 Lux at BW (IR on)
IR Distance	30M (Built-in High-Power IR LEDs)
Day & Night	True D/N w/ ICR Filter Change
Lens	2.7~12mm Motorized Zoom Lens
<b>Video</b>	
Video compression	H.264/ H.265 High Profile@4.0, MJPEG–Image quality: 3 Steps
Resolution	Up to 1920x1080P 2MP
Frame rate	H.265/H.264 Up to 30fps with 1920x1080p, H.265/H.264 Up to 30fps with 720p, H.264/MJPEG Up to 30fps with VGA resolution
Video streaming	Multi-stream with H.265/H.264, MJPEG, Adjustable frame rate, SRC/VBR/CBR in H.265/H.264
Backlight	True-WDR, ATR
Shutter Speed	1/30 ~ 1/10,000 sec
Corridor view	Corridor view in H.265/H.264
Noise reduction	3DNR
Image setting	Brightness, Contrast, Sharpness, Day & Night, Auto White Balance, Auto exposure, Privacy mask, DSS, Corridor-view, Mirror/V-Flip, etc.
<b>Audio</b>	
Audio Streaming	X
Audio Compression	X
Sample Rate	X
<b>Cable Out</b>	
Audio In/Out	X
Alarm In/Out	X
CVBS Video	X
12VDC	DC Male Jack x 1
POE	RJ45 Jack x 1
<b>System Integration</b>	
Security	Password Protection, User access log, HTTPS encryption
Supported protocol	HTTP, HTTPS, DNS, RTSP, RTP, TCP, UDP, ICMP, DHCP
Intelligent video	Motion detection with 12x 12 block
Alarm trigger	Motion detection, External input (NC/NO)
Alarm events	File upload via FTP/Email, Notification via Email/FTP/TCP, External alarm output
Video buffer	5MB pre-alarm and 180 sec (max) post-alarm
Firmware upgrade	Remote upgrade via network
API	CGI Interface document
<b>Physical</b>	
Power Source	DC12V/1.5A, PoE (Power over Ethernet): 802.3af
Storage	X
Power Consumption	Max. 6.5W with IR on & Heater On (At DC 12V)
Net Weight	250g
Status indication	R (Power only), G (Power & Network Connected)
Dimension	113.8mm (Dia.) x 95mm (H)
<b>Environment</b>	
Thermal sensor and Heater	X
IP Rating	X
Vandal-proof	X
Operating Temperature	-10 degree ~ 50 degree Celsius (-14F~122F)
Storage Temperature	-20 degree~60 degree Celsius (-4F~140F)
<b>Software</b>	
Included Software	NVR C/S (16 Channel), IP Installer (Windows only)
<b>Certification</b>	
	CE, FCC

Specifications are subject to change without prior notice.



4NSYS Co., Ltd.  
3F Hana Bldg, 118-2 Oryu-Dong, Guro-Gu, Seoul, Korea, 152100, Korea (South)  
Tel : +82-2-2685-7300 URL : <http://www.4nsystech.com>

